

GRAND LODGE ACTIVITIES COMMITTEE

**Elks** **SOCCER SHOOT®**

P  
R  
O  
G  
R  
A  
M



M  
A  
N  
U  
A  
L



**Benevolent and Protective  
Order of Elks**

OF THE UNITED STATES OF AMERICA  
*A Fraternal Organization*

*“Elks Care — Elks Share”*

# INDEX



<b>TITLE</b>	<b>PAGE</b>
Foreword	1
Liability Insurance	2
Program Schedule	3
General Contest Rules	4
Five Goal Contest Rules	6
Officials/Judges – Five Goal Contest	8
Grid Goal Contest Rules	9
Officials/Judges – Grid Goal Contest	13
Elks Virtual National Soccer Shoot Competition	14
APPENDIX	16
Ground View of Five Goal Soccer Shoot Goal	Appendix A 17
Alternate Small Goal	Appendix B 18
Rope Grid Goal Specifications	Appendix C 19
Grid Goal Set-up	Appendix D 25
Contestant Score Sheet (Five Goal Contest)	Appendix E 26
Contestant Score Sheet (Grid Goal Contest)	Appendix F 27
Competition Form – Boys/Girls	Appendix G 28
Contestant Registration	Appendix H 29
Contest Event Report	Appendix I 31
State Contest Report Form	Appendix J 32
Regional Contest Report Form	Appendix K 33
Region Change Form	Appendix L 34



## — ACKNOWLEDGEMENTS —

The Grand Lodge Activities Committee would like to express our sincere gratitude to those visionary Elks and Soccer enthusiasts from Connecticut, New Jersey, Arizona, Georgia, Wisconsin and elsewhere, who foresaw in this activity a positive and enjoyable way for the Order to benefit young Americans.



# FOREWORD

---

---



**S**OCCKER – The world’s favorite sport now is the United States’ fastest growing children’s participatory activity. As early as the 1980s, Lodges of the B.P.O. Elks began to recognize this phenomenon and support it with league sponsorships as well as developing different skill contests. The Grand Lodge Activities Committee discussed the sport of soccer on many occasions as two of these contests grew to prominent status.

In October 1997, a Grand Lodge Youth Activities Subcommittee met in Chicago to discuss the various programs, and from that meeting the Grand Lodge Soccer Shoot Program was developed and implemented. Since 1997, the Soccer Shoot Program has continued to be reviewed and adjusted for improvements. In November 2015, the Grand Lodge Activities Committee met and agreed upon the latest revisions to the program herein. Soccer Shoot is a two-stage contest that best represents the skill levels of four or five age groups: 7 and under (U-8), 8-9(U-10), 10-11(U-12), and 12-13(U-14). The 14-15(U-16) is an optional age group.

The “Five Goal Contest” with its succession of smaller target goals lets the youngest participants (U-8) build their confidence as they move down the line. It matches both physical and skill abilities to the challenge they present.

The “Grid Goal Contest” uses the specific kick distance, based on age, to challenge the older participants (U-10, U-12, U-14 & U-16) to kick the ball from a specific mark for score, thus developing advanced skills.

The contests are designed to be run either indoors or outdoors depending on location, weather, or climate. It is suggested that close cooperation with the local soccer associations will ensure growth in the participation in this youth activity by involving the community with our program.

Finally, remember that all youth programs have the common goal of keeping children occupied with positive, character-building role models and activities, providing alternatives to drug use, and to simply have fun.

**Remember:**

***“SOCCKER – IT’S A KICK!”***

# ELKS SOCCER SHOOT®

## *“IT’S A KICK”*

### **LIABILITY INSURANCE**

What should the Lodge do if the owner of the property where an Elks Soccer Shoot is being held requires proof of liability insurance? Call the administrators of the Elks Insurance Programs, **GALLAGHER INSURANCE – ELKS INSURANCE TEAM** – at **1-800-421-3557**.

Gallagher Insurance will issue a Certificate of Liability Insurance that will satisfy the property owner’s requirements.

When you contact Gallagher Insurance, they will first ask for your Lodge number. The purpose is to connect you with the correct Gallagher Insurance team member.

#### **Gallagher Insurance – Elks Insurance Team requires the following information:**

- ✓ Date of the Soccer Shoot
- ✓ Location of the Soccer Shoot
- ✓ Name of the property owner
- ✓ Name of the certificate holder, i.e., school district, city, etc.
- ✓ Does the certificate holder need to be named as additional insured?

The Benevolent and Protective Order of Elks General Liability Policy provides general liability insurance for Elks activities on or away from owned or leased premises. This policy will respond to bodily injury and/or property damage, subject to the policy terms and conditions.

The Master Liability Insurance Program includes as named insured the Grand Lodge, State Associations (with the exception of major projects), and all Local Lodges of the Order.

The process of issuing a liability insurance certificate is simple, however, Gallagher Insurance would appreciate your calling at least **ten (10) days prior to the event** to ensure sufficient mailing time.

# ELKS SOCCER SHOOT®

## *“IT’S A KICK”*

### **PROGRAM SCHEDULE**

The Elks Virtual National Soccer Shoot competition runs from April 1 to March 31. All state and regional contests must be completed no later than March 31 of each year as part of the Elks Virtual National Soccer competition. Lodges and Districts should schedule their contests well in advance of these events.

### **SUGGESTIONS:**

#### **Field Line Marking:**

The foul line is best marked with a product similar to the spray paint that is used to mark utility lines in the grass or black top, i.e., Power Paint Cartridge. Fluorescent colors work best. If such a product is unavailable, fluorescent tape such as that used in construction also works.

### **PROMOTING THE SOCCER SHOOT PROGRAM:**

#### **Press Releases:**

A large part of the Soccer Shoot Program is to permit the kids to have fun. As such, it is necessary to let the community know that the Elks Soccer Shoot exists. Press releases and purchased advertising will permit your Lodge not only to hold a successful Soccer Shoot but to share your news with the community.

#### **Certificates of Participation:**

It is recommended that all contestants receive some form of a certificate of participation.

# ELKS SOCCER SHOOT®

## *“IT’S A KICK”*

### **GENERAL CONTEST RULES**

- 1) There shall be four (4) or five (5) age groups:
  - i. Age 7 and Under [U-8]
  - ii. Ages 8 and 9 [U-10]
  - iii. Ages 10 and 11 [U-12]
  - iv. Ages 12 and 13 [U-14]
  - v. Ages 14 and 15 [U-16] Optional
- 2) Age is determined by the age of the contestants as of January 1 the year the contest is held.
- 3) The local Lodge Director must verify age by birth or baptismal certificate or by passport to ensure that the contestant competes in the proper age group. This will eliminate any disappointment that might arise as a result of a technical error.
- 4) A contestant may enter only one local Lodge contest in any given year.
- 5) The Contest Director will set the date, time, and place for the contest, and notify all contestants of the same. Contestants must be present and ready to compete at the designated time.
- 6) Local Lodge contests may be structured in cooperation with local soccer programs so that participants can compete at predetermined times. The time for the local Lodge “finals” if needed, will be posted and those invited to compete in the “finals” must be present and ready to compete at the designated time.
- 7) The contest can be held outdoors on a field or indoors in a gym or other suitable area.
- 8) No equipment is necessary other than appropriate clothing for competition and appropriate footwear (indoor or outdoor). No article of clothing that displays words, slogans, or images that are in poor taste for a youth athletic activity shall be permitted. The Director’s decision is final.
- 9) FIFA-approved size 4 balls will be used for the [U-8], [U-10] and [U-12] groups. Size 5 balls will be used for the [U-14] & [U-16 optional] groups.



# ELKS SOCCER SHOOT®

## *“IT’S A KICK”*

- 10) All contestants are responsible for their own behavior. Inappropriate or unsportsmanlike conduct or failing to obey the instructions of the officials will be subject to disqualification by the officials.
- 11) Contestants who are waiting their turn must not interfere with the contestant who is shooting in any way. All other persons should stay at least ten (10) yards behind the contestant who is shooting. At indoor contests or some outdoor contests where ten (10) yards is not possible, a distance determined by the Director will establish a clearly-identified waiting area. No one should be allowed to distract the contestants in any way during the contest. The Director may stop the contest and clear the area if anything interferes with play.
- 12) The Director shall have the authority to restrict the number of photographers around the immediate contest area and to restrict where they may position themselves. Flash photography is not permitted at any time while the contest is in progress. A staged photo opportunity may be orchestrated by the Director wherein flash photos will be permitted.
- 13) **All decisions by the Director are final. No spectator or other person will be permitted to argue or influence an official’s decision in any way. For the national level of competition in the Elks Virtual National Soccer Shoot, the decision of the Grand Lodge Activities Committee shall be final, and shall be communicated through the committee’s Soccer Shoot coordinator.**

# FIVE GOAL CONTEST

## FIVE GOAL CONTEST RULES

Ages 7 & Under [U-8]

- 1) Contestants may only shoot for score once unless involved in a tiebreaker.
- 2) No contestant may shoot before or after the designated time.
- 3) The order of shooting will be determined by the committee. Only Lodge contests may have the option of customizing the shooting order according to local conditions. It is strongly recommended that after each contestant kicks three shots for score at a goal, he/she shall return to the end of the line/seating area while all other contestants complete their shots on that goal. The entire group then moves on to the next size goal.
- 4) The goals and scores are as follows:
  - 48" goal – 1 point per successful goal
  - 40" goal – 2 points per successful goal
  - 34" goal – 3 points per successful goal
  - 26" goal – 4 points per successful goal
  - 17" goal – 5 points per successful goal
- 5) A goal is scored when the whole of the ball has passed over the entire goal line, between the goal posts and below the upper crossbar. The decision of the judges shall be final.
- 6) Ideally, four balls should be used; one for practice and three balls for score. All kicks should be taken before any balls are returned to the shooter. This will save time and shorten the waiting time before the next contestant's attempt.
- 7) There shall be one Goal Judge, one Line Judge, one Retriever and up to three Scoring Judges per contestant shooting.
- 8) There shall also be up to three Tabulators who are located in the contest area. The Tabulators shall verify the official score.

# ELKS SOCCER SHOOT®

## *“IT’S A KICK”*

- 9) Contestants will start at the 48” goal and will advance to each successive smaller goal after all the contestants have completed shooting at that goal.
- 10) The Line Judge will place the ball fifteen (15) feet from the goal line. The Line Judge will confirm that the ball is legally placed with the face of the ball behind the line before the contestant is allowed to kick the ball. The ball shall be deemed in play as soon as it is kicked forward and cannot be kicked a second time. The contestant is no longer allowed to adjust the ball after it has been placed. However, they may request that the ball be adjusted slightly based on field conditions.



- 11) Each contestant will be permitted one (1) warm-up kick at each goal. They will then kick three (3) goals for score at each of the five different sized goals in sequence from 48” down to 17” goal. The contest officials will notify each contestant when scoring begins. A total of forty-five (45) points is possible.
- 12) Ties will be determined by taking five (5) additional shots in the same contestant order as the regular contest. The 17” goal will be used. If still tied, this procedure will be repeated until a winner is decided. Tie-breaker points will not be added to the total. Tie-breaker scores will only be used to break the tie to determine the place of finish.
- 13) The 1st place winners at each level of contest are eligible to advance to the next level. If the 1st place winner in any age group is unable to attend, the next highest scorer shall be eligible.

# ELKS SOCCER SHOOT®

## *“IT’S A KICK”*

### **OFFICIALS/JUDGES — FIVE GOAL CONTEST**

*Volunteers will be needed for the following:*

#### **Goal Judge — ONE:**

The Goal Judges will indicate a goal by raising their hands above their head after the ball completely crosses the goal line or indicate a missed goal by pointing at the ground.

#### **Line Judge — ONE:**

The Line Judge (or spotter) will determine that the ball was kicked from a location completely behind the foul line. The Line Judge will notify each competitor prior to their last shot in each set that this is the last shot.

#### **Scoring Judges — ONE to THREE:**

The Scoring Judge(s) will maintain the Contestant Registration Form and Score Sheet for all contestants that they are responsible for. The Scoring Judge(s) will move from goal to goal with the contestant. The Scoring Judge(s) will mark goal attempts with either an X for a successful goal or a dash for an unsuccessful goal, only after the Line Judge has indicated if the attempt was successful or unsuccessful. It is recommended, but not mandatory, that the Scoring Judge(s) should not tabulate the competitors’ scores. Upon completion of an individual’s competition, the score shall be turned over the Tabulators.

#### **Tabulators — TWO:**

The competition Director will appoint two volunteers to tabulate all Soccer Shoot Registration and Score Sheets. They will verify the scores to find out the winners. The Tabulators will also produce for the Soccer Shoot Director a list of the winners for each division. No scores will be given out to competitors until the competition is over.

# GRID GOAL CONTEST

## GRID GOAL CONTEST RULES

Ages 8 & 9 [U-10]      Ages 12 & 13 [U-14]  
Ages 10 & 11 [U-12]      *and*      Ages 14 & 15 [U-16] Optional

The Grid Goal Contest shall use a Rope-Grid (Appendix C) as the preferred method at all levels of competition. The Rope-Grid is placed on a full-size soccer goal as indicated in Appendix C of this manual.

It is strongly recommended that when using a Rope-Grid that the ropes be securely fastened to the goal posts and crossbar to prevent any movement during the competition.

### ALTERNATIVES

Should a full-size regulation soccer goal be unavailable for contest use, the Contest Director shall have the option of using an alternative grid/goal. The contestants should be informed that the alternative goal used may not be used at higher levels of competition, and that any advantage/disadvantage from using an alternative method will be the same for all contestants. The following alternatives are available to the Contest Director:

- 1) A smaller “indoor” goal may be used as a replacement, provided that the dimensions of the side areas be the same as indicated in Appendix C. (This will effectively reduce the size of the center area of the goal)
- 2) A goal constructed of PVC or round metal pipe may be used, provided that the dimensions are the same as in Appendix C (Rope-Grid). Examples of this grid are found in Appendix D.

The Contest Director should note that this option will produce more bounce backs off the grid and may result in a lower score for all competitors in that contest.

- 3) A grid may be created using tape on a wall (Indoors). The grid must use the same dimension as shown in Appendix C.

If a Tape-Grid is used, it is strongly recommended that painters or gaffers’ tape be used to prevent any damage to the facility. The tape should be colored so that it is clearly visible to the judges and the contestant. It is recommended that the scoring judges view the tape goal from a position centered on the goal to reduce parallax and to help assure accurate scoring.

## Tape-Grid Scoring

For scoring when using a tape-grid:

- If a ball hits on a line of tape or intersection of two or more lines, the score used shall be that of the lowest area adjacent to the line or intersection that the ball hits. Examples:
  - If the ball hits on any outside line, the score would be zero (simulating hitting the post or crossbar).
  - If the ball hits on the line between the 3-point area and 2-point area, the score will be 2 for that shot.
  - If the ball hits at the intersection separating the 5-point (corner), 4-point (upper center), 3-point (side), and 2-point (center), the score would be 2, as this is the lowest score of the four adjoined areas.
  - The shot will be considered as having passed the goal line if it hits the wall inside the goal grid.

## GRID-GOAL CONTEST RULES

- 1) Contestants may only shoot for score once in each contest unless involved in a tiebreaker.
- 2) No contestant may shoot before or after the designated time. The order of shooting will be determined by the committee. Lodge contests may have the option to customize the shooting order according to local conditions.

Contestants shall kick five shots for score at a goal, he/she shall then return to the end of the line/seating area. The rotation of five (5) shots at a time will continue for each contestant until each has completed a total of fifteen (15) shots on goal.

3) The scoring for successful goals are as follows:

- a. Across the entire bottom - 1 point
- b. Middle center - 2 points
- c. Middle ends - 3 points
- d. Top center - 4 points
- e. Top ends (or upper corners) - 5 points

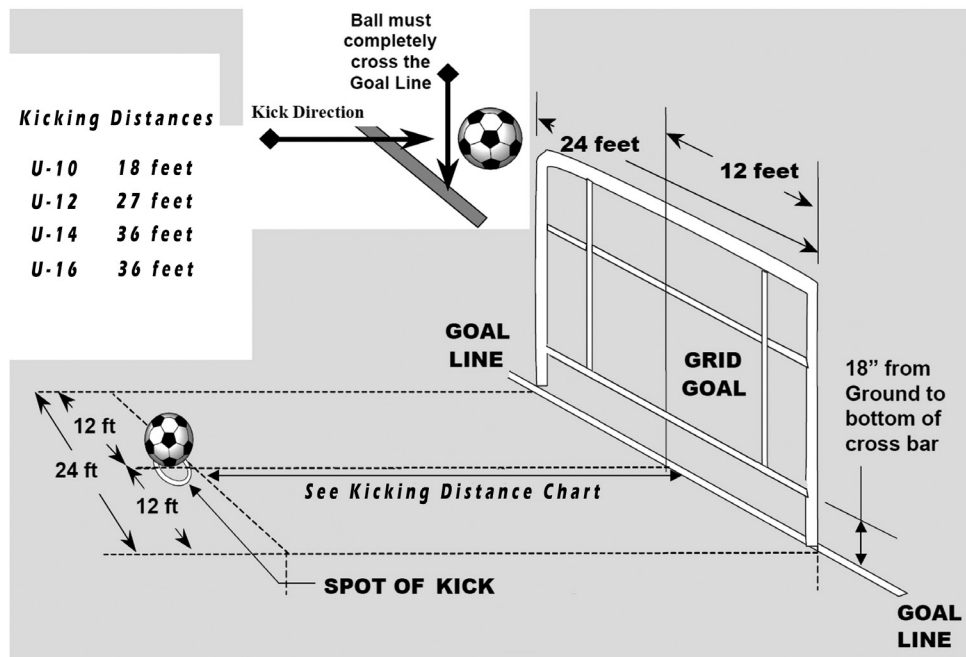
### **Grid Goal**

<b>5</b>	<b>4</b>	<b>5</b>
<b>3</b>	<b>2</b>	<b>3</b>
<b>1</b>		

4) The ball is to be placed at a spot, centered to the goal as follows (see image):

- a. Eighteen (18) feet from the goal line for U-10
- b. Twenty-seven (27) feet from the goal line for U-12
- c. Thirty-six (36) feet from the goal line for U-14 & U-16

### **Grid Goal Set-up**





- 5) A goal is scored when the whole of the ball has passed over the entire goal line, between the goal posts and below the upper crossbar.

If the ball hits the posts, crossbar, grid, or ground and enters the goal, the kick is good, and the points are awarded based upon where the ball passed through the grid.

If the ball deflects off the goal posts, crossbar, or the grid and does not cross the goal line, the score for that shot shall be zero.

The decision of the judges are final.

- 6) Once the ball is placed by the Line Judge, it cannot be touched by the contestant, except to kick the ball for score.

When placing the ball, the Line Judge will assure that the face of the ball is behind the line (see image at right) before allowing the contestant to kick.

If necessary, the Contest Director may allow for the ball to be placed slightly to the left or right of center due to deteriorating field conditions.



- 7) There shall be two Goal Judges, one Line Judge, and one to three Scoring Judges. When kicking indoors, a 1/4-inch O-ring to steady the ball may be used in the Grid-Goal Contest.
- 8) Each contestant will be permitted up the three (3) warm-up kicks at the grid. They will then kick fifteen (15) goals for score (See Rule #2-Five (5) Shots per round). A maximum total score of seventy-five (75) points is possible.
- 9) Ties will be determined by taking five (5) additional shots in the same order as the regular contest. If still tied, this procedure will be repeated until a winner is decided. Tie-breaker points will not be added to the total score. Tie-breaker scores will only be used to break a tie to determine place of finish.
- 10) Eight (8) balls, three (3) for initial practice shots and five for each five-shot rotation should be on hand to run the contest smoothly. This allows for the contestants to kick at their own rhythm without interference from returning balls.
- 11) The 1st place winners in each level of the contest are eligible to advance to the next level. If the 1st place winner is unable to attend, the next highest scorer shall be eligible.



# ELKS SOCCER SHOOT®

## *“IT’S A KICK”*

### **OFFICIALS/JUDGES — GRID GOAL CONTEST**

*Volunteers will be needed for the following:*

#### **Ball Retrievers — TWO:**

The Ball Retrievers will control all balls that miss the goal and return all balls to the Line Judge after the contestant has completed the round of kicks.

#### **Goal Judges — THREE:**

The Goal Judges will take up positions at opposite sides of the Grid Goal and immediately after the kick has been completed, inform the Scoring Judge(s) of the point value earned for that kick. If necessary, the Goal Judges may confer before announcing the point value so as to reach a unanimous decision in the event of a kick whose path is not clearly seen by one of the judges.

#### **Line Judge (spotter) — ONE:**

The Line Judge will determine that the ball was kicked from the penalty point. If the ball rolls off the penalty point before the kicker advances toward the ball, the Line Judge will re-set the ball on the penalty point. If the kicker kicks the ball, it is a counted kick.

#### **Goal/Scoring Judges — ONE to THREE:**

The Scoring Judge(s) will maintain the Contestant Registration and Score Sheets for all contestants that they are responsible for. The Scoring Judge(s) will mark goal attempts with the goal value for each kick taken. The Scoring Judge(s) will tabulate the competitor’s individual shots. They will ensure that each form is filled out correctly and attest to the shot scores. They may tabulate the scores to establish the winners, however, separate Tabulator(s) are recommended.

# ELKS SOCCER SHOOT®

## *“IT’S A KICK”*

### **ELKS VIRTUAL NATIONAL SOCCER SHOOT**

In 2019, the Grand Lodge Activities Committee created the Elks Virtual National Soccer Shoot Competition to determine a national champion in the Soccer Shoot program. The competition uses the winning scores from the state and regional levels with the highest scoring competitors from across the nation being declared national champions.

The program works as follows:

- 1) The Soccer Shoot season runs from April 1 to March 31 of each year.
- 2) The current version of the Elks Soccer Shoot Manual as published on [elks.org](http://elks.org) shall be used as the official rules for all levels of competition (local, district, state, and region).
- 3) Regional winning scores will be used, and the winning scores will advance to the national level. If a state or territory is not part of an established region, they will default to a “virtual region” consisting of all other states not part of an established region. The top scorers in each age/gender group from the state contests of all states within the virtual region will advance to the national level.
- 4) Upon completion of the regional contest (state contest for those states that are not part of an established Soccer Shoot region), the Contest Director will forward the state/regional contest reports to the Grand Lodge Activities Committee Soccer Shoot Coordinator. This form will be available in the Activities Committee section of [elks.org](http://elks.org). The form must be received by the Committee’s Soccer Shoot Coordinator no later than March 31.
- 5) The Grand Lodge Activities Committee’s Soccer Shoot Coordinator will then use the scores received to determine a national champion in each of the age/gender groups of the Elks Soccer Shoot program. The highest scoring competitors in the contest will be declared national champions.
- 6) To reduce the chance of having a tie, the Contest Director at the regional level (or state level for states not part of a designated Soccer Shoot region) shall hold one 5-shot tiebreaker for the winners of each contest (Five Goal and Grid Goal), and shall be scored as follows:
  - a) Five Goal Contest: 1 point for each goal scored at the 17” goal
  - b) Grid Goal Contest: The sum of all five (5) tiebreaker shots

Tiebreakers should be conducted regardless of whether they are needed in the local contest. If tiebreakers are needed to determine a state/regional winner, then the score from the first tiebreaker will be used for this competition and the Contest Director should enter that score in the tiebreaker box of the Contest Report Form.

If no tiebreaker score is submitted, the contestant will receive a zero for the tiebreaker score.

If a tie exists for first place in the Elks Virtual National Soccer Shoot competition after using the tiebreaker, then national co-champions will be declared.

- 7) If two or more states wish to form a Soccer Shoot region it will be necessary for each state to complete the Region Change Form. The form is available in a fillable PDF file on the Grand Lodge Activities Committee page of Elks.org.

This is important so that the Committee can keep track of which states are part of an established Soccer Shoot region, and which states will default to a virtual region.

If a state wishes to join an existing region or transfer to another region, it will be required to complete the Region Change Form.

A map of the Soccer Shoot regions will be maintained on the Activities Committee page of Elks.org

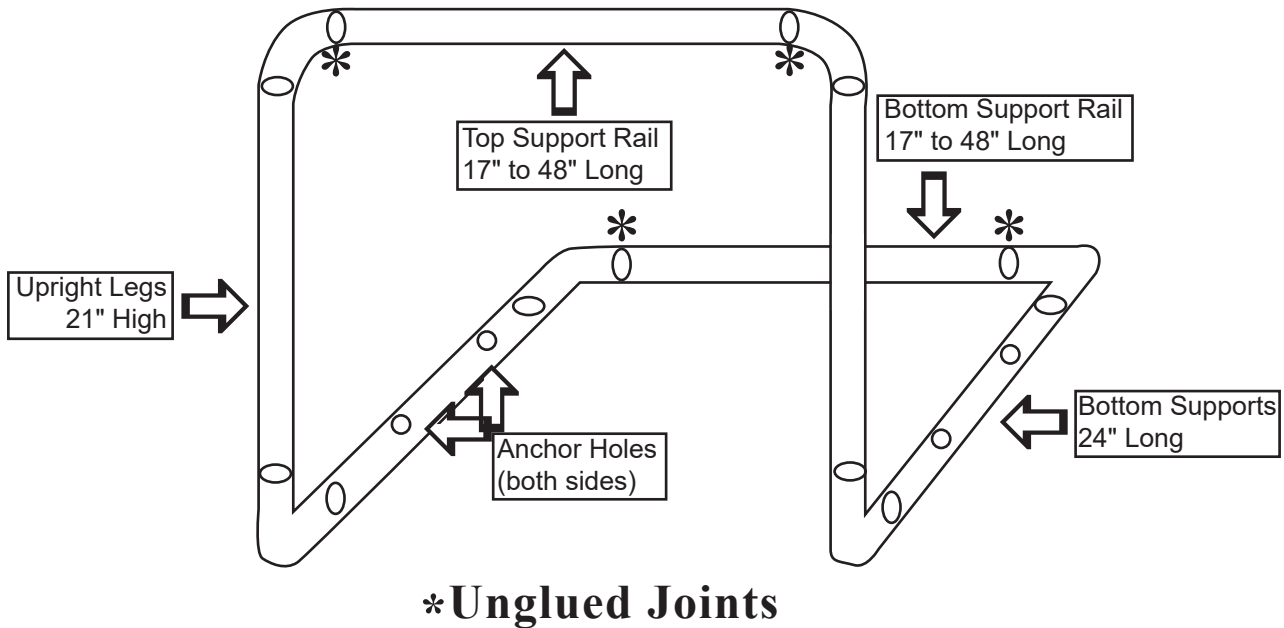
- 8) Winners of the Elks Virtual National Soccer Shoot will receive suitable recognition. The awards will be sent to the state association that sponsored the winner for presentation locally.

It is strongly encouraged that the state association supplement the awards from the Grand Lodge with suitable awards and recognition of their own. If due to travel distance or cost the winner is unable to be presented with awards at a suitable function, then it will be the responsibility of the state association to forward the awards to the sponsoring Lodge for presentation locally.

- 9) The national winners will be announced on Elks.org in April of each year, and during the Activities Committee Report at the Grand Lodge Session.

# APPENDIX

## Ground View of Five Goal Soccer Shoot® Goal



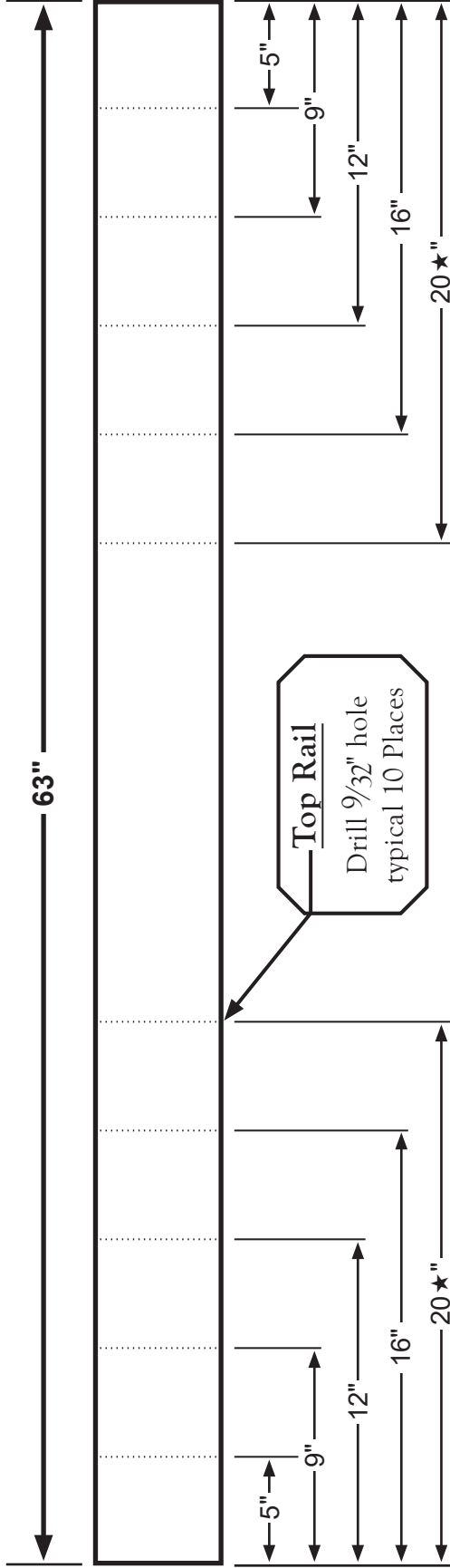
### Free-Standing Goal Parts List:

QUANTITY	DESCRIPTION	QUANTITY	DESCRIPTION
2	48" top & bottom rails	10	21" upright legs
2	40" top & bottom rails	10	24" bottom supports
2	34" top & bottom rails	30	90-degree elbows
2	26" top & bottom rails	20	anchors (spikes/tent pegs)
2	17" top & bottom rails		PVC Pipe Glue

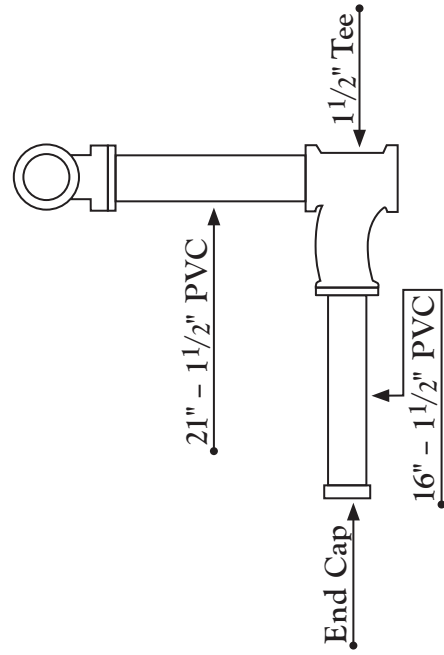
*(See also Alternate Goal Equipment Attachment for standard Soccer Goal on following page.)*

Each goal should be constructed using 1½-inch (ID) Heavy Duty Schedule 40-PVC Tubing and Elbows. This size provides adequate strength and allows for flexibility. You will need 65 feet of the PVC pipe for 5 goals. All corners use 90-degree Elbows. Drill holes in the bottom supports large enough to accommodate the spikes so the goal can be firmly anchored to prevent movement or overturning. The pieces will fit together quite snugly. However, you may wish to glue a few of the connections for added stability, leaving some of the couplings unglued allows for size changes and for easy take down, transport and storage.

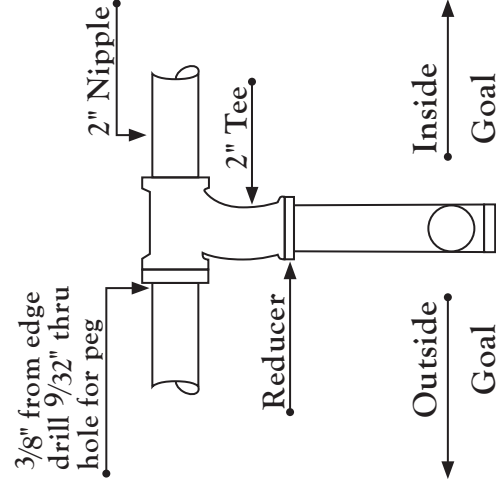
## Alternate method of fabricating a Small Goal



**Goal openings between uprights will be 48", 40", 34", 26" and 17".**



**Upright — Side View**



**Upright — Rear View [left side]**

### COMPONENTS

Top Rail

- a. [1] 63" - 1 1/2" PVC
- b. [2] 1 1/2" PVC End Caps
- c. [2] 5" - 1" X 4" Pegs ("L" shape)

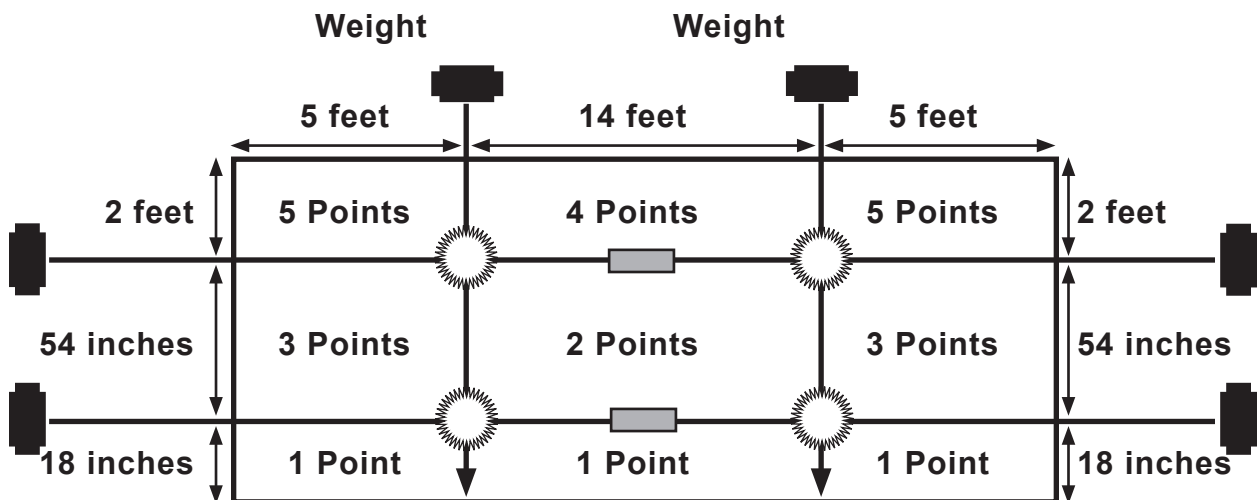
Uprights

- a. [2] 21" - 1 1/2" PVC
- b. [2] 16" - 1 1/2" PVC
- c. [2] 2" PVC Tees
- d. [2] 2" X 1 1/2" male reducers
- e. [2] 1 1/2" PVC Tees
- f. [2] 1 1/2" End Caps
- g. [4] 3 1/2" - 2" PVC Nipples
- h. Plumbers Glue

## GRID GOAL ROPE GRID GOAL SPECIFICATIONS

The grid goal made from rope is an economical arrangement that is the preferred method for the Elks Soccer Shoot at all levels.

<b>Obtain the following parts:</b>	
<b>QUANTITY</b>	<b>DESCRIPTION</b>
75 feet	Yellow 3/8 inch rope
2-6	10- or 12-inch Turnbuckles for the horizontal sections
6	Hooks with Eyelet attached
2	Weights <i>(for the bottom of the parallel ropes, will help keep the rope straight)</i>
Wrap the hooks around the goal pole at the sides and tighten turnbuckles. Swing the vertical rope over the top goal bar and hook. Attach weights at lower ends of vertical ropes.	

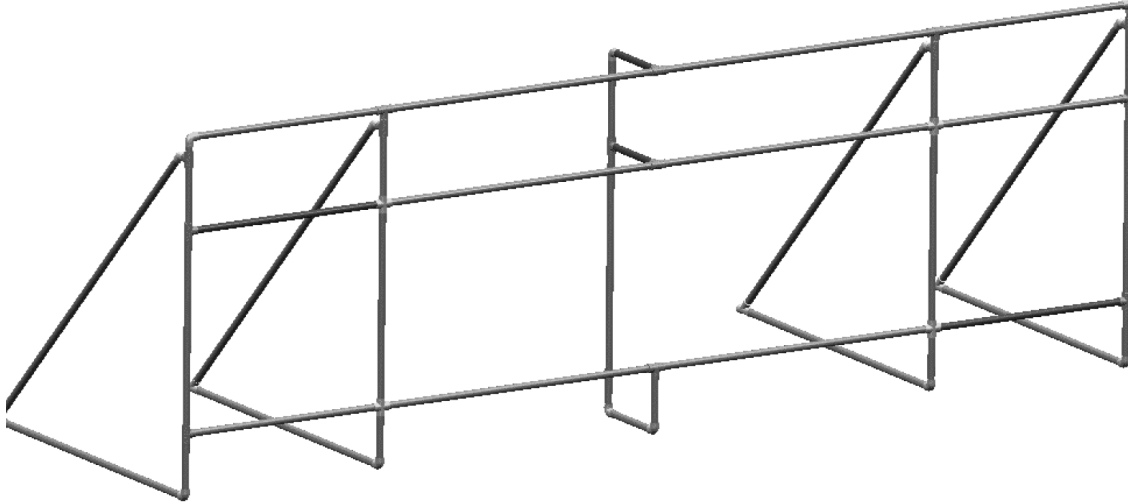


 Turnbuckle

 Hook & Eyelet

 Twist Ties

## GRID GOAL SPECIFICATIONS

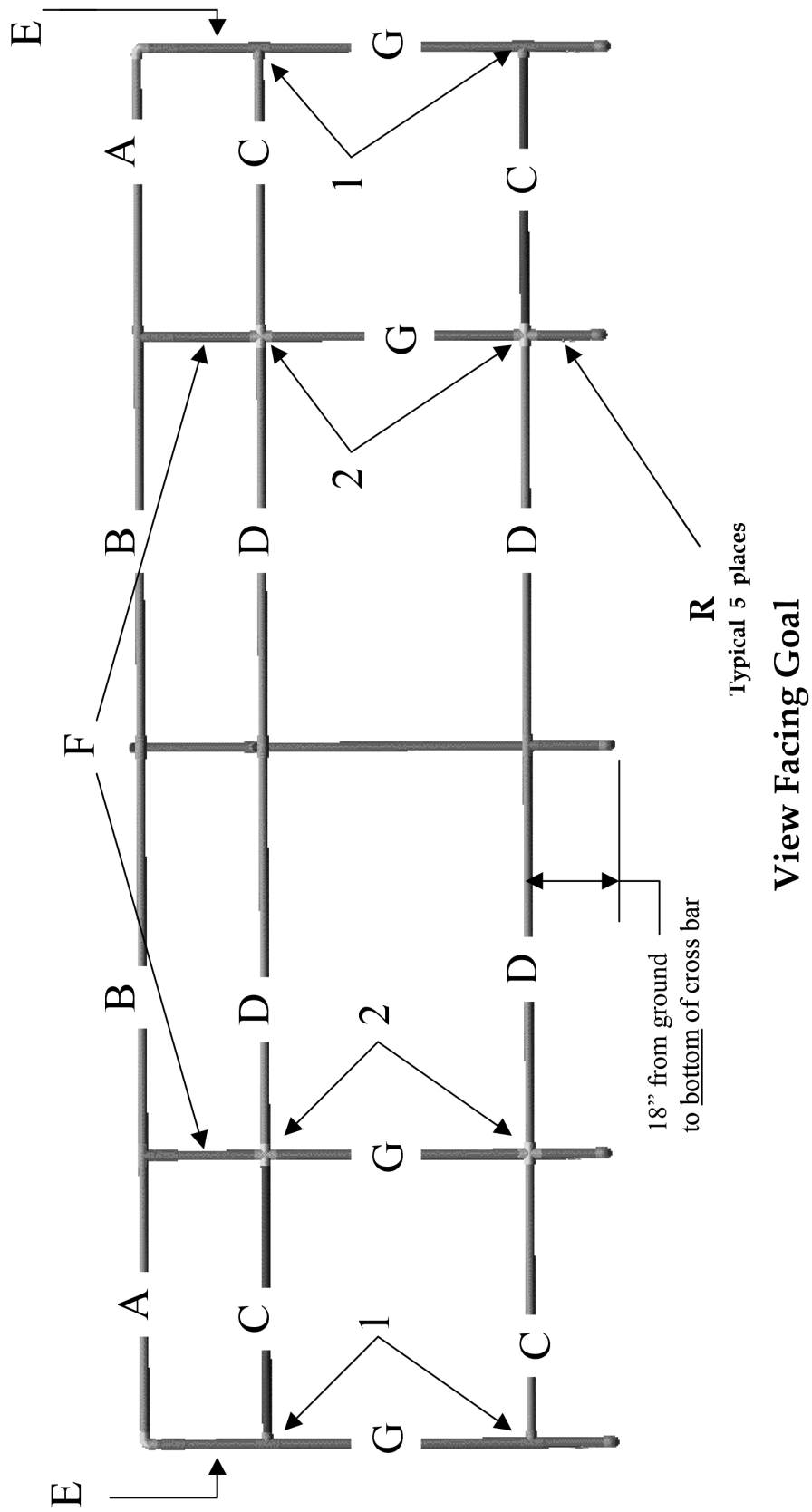


### *Parts Chart*

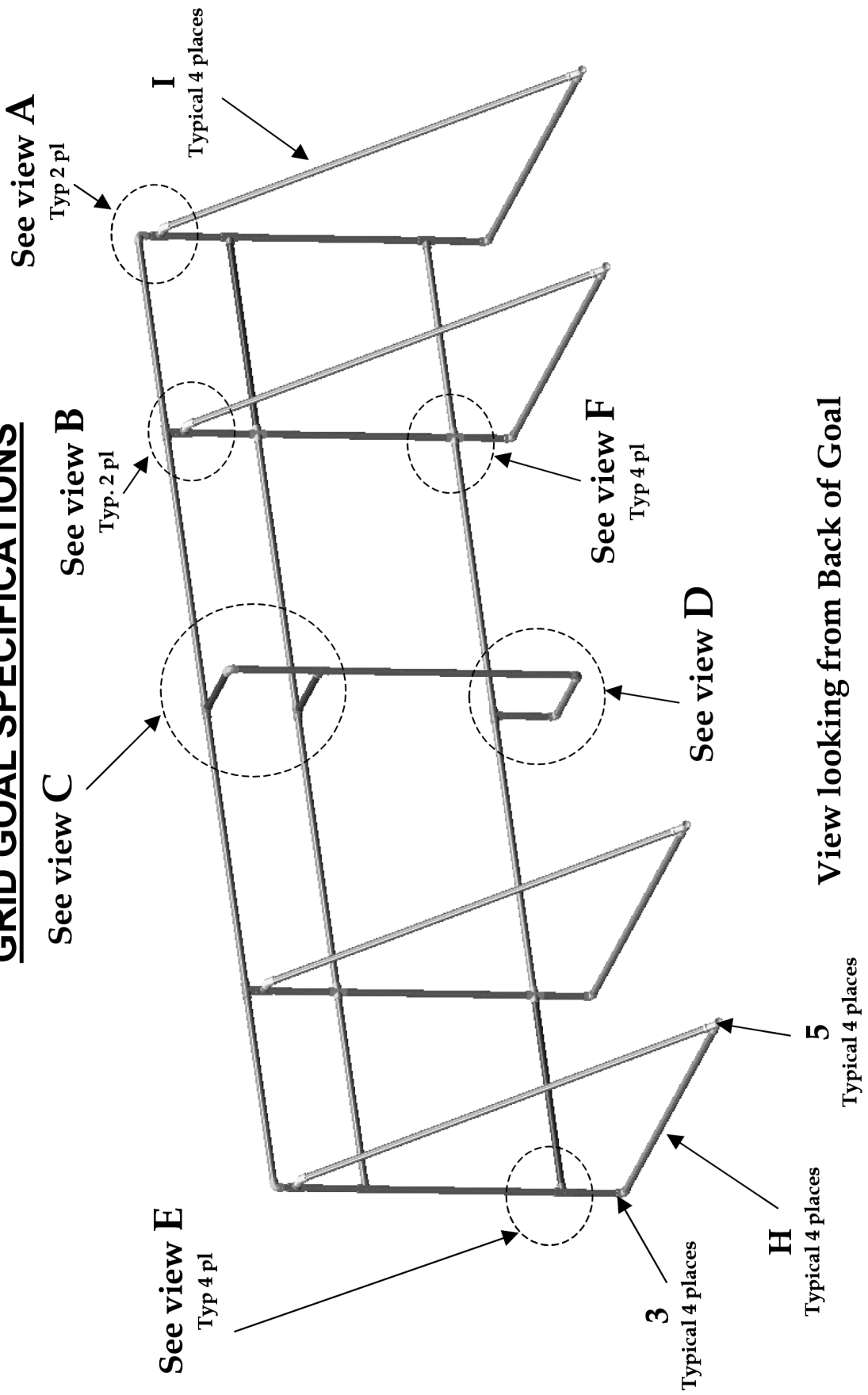
Item	Qty	Description/Length	Specifics
<b>Piping</b>	<i>Use 1 1/2 Bristol Pie PVC 330 PSI</i>		
A	2	4 ft - 8 7/8 in	
B	2	6 ft - 9 1/4 in	
C	4	4 ft - 8 3/4 in	
D	4	6 ft - 9 in	
E	2	1 ft - 6 1/8 in	
F	2	1 ft - 6 1/4 in	
G	4	4 ft - 3 7/8 in	
H	4	7 ft - 4 1/2 in	
I	4	10 ft - 3 in	
J	1	1 ft - 8 5/8 in	painted black
K	1	1 ft - 8 3/4 in	painted black
L	1	1 ft - 8 7/8 in	painted black
M	1	5 ft - 8 7/8 in	painted black
N	1	1 ft - 8 1/2 in	painted black
<del>O</del>	<del>1</del>	<del>1 ft - 3 7/8 in</del>	
P	8	2 in	inserts
R	5	15 in	will need to trim to fit to obtain 18" clearance
<b>Fittings</b>	<i>Use 1 1/2 in type fittings</i>		
1	4	4-Way "T"	
2	14	3-Way "T"	
3	8	90 - degree elbow	



**GRID GOAL SPECIFICATIONS**

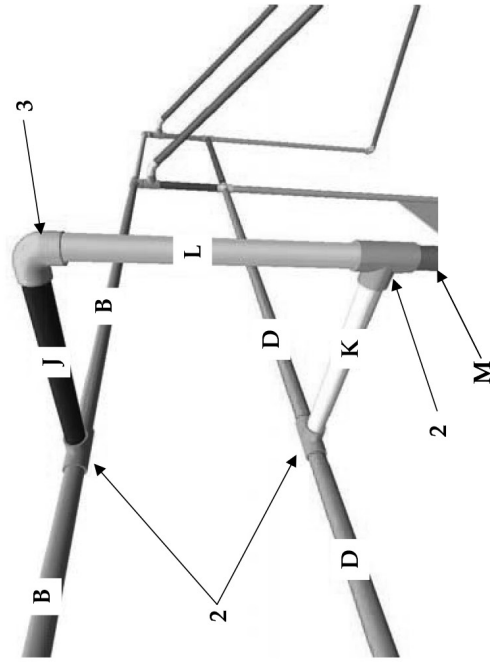


**GRID GOAL SPECIFICATIONS**



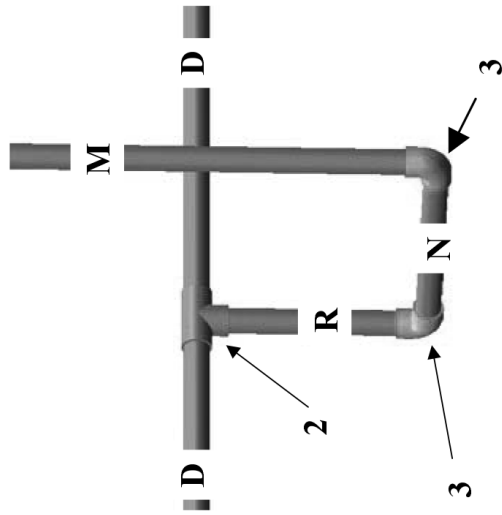


**View B**  
Upper Interior Connections  
typical 2 places

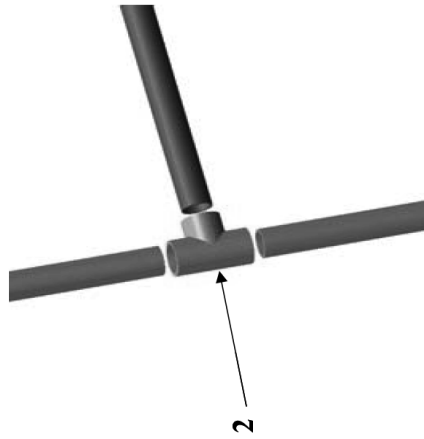


**View C**  
Upper Center Post  
Looking from back of Goal

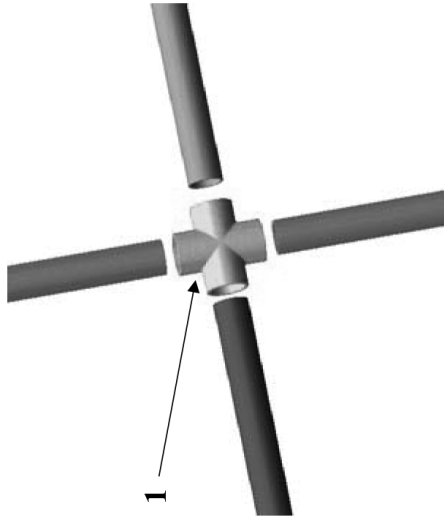
**View A**  
Upper Corner  
typical 2 places



**View D**  
**Lower Center Post**  
Looking from back of Goal



**View E**  
**3 - Way "T" Connections**  
Typical 4 places



**View F**  
**4 - Way "T" Connections**  
Typical 4 places

– Appendix D –

**GRID GOAL SET-UP**  
Parts Chart

Item	Quantity	Description/Length	Specifics
<b>Piping</b>	<i>Use 1½ Bristol Pie PVC 330 PSI</i>		
A	2	4 feet – 8 7/8 inches	
B	2	6 feet – 9 1/4 inches	
C	2	4 feet – 8 3/4 inches	
D	2	6 feet – 9 inches	
E	2	1 foot – 6 1/8 inches	
F	2	1 foot – 6 1/4 inches	
G	4	5 feet – 8 7/8 inches	
H	4	7 feet – 4 1/2 inches	
I	4	10 feet – 3 inches	
J	1	1 foot – 8 5/8 inches	
K	1	1 foot – 8 3/4 inches	painted black
L	1	1 foot – 8 7/8 inches	painted black
M	1	5 feet – 8 7/8 inches	painted black
N	1	1 foot – 8 1/2 inches	painted black
O	1	1 foot – 3 7/8 inches	
P	8	2 inches	inserts
R	5	16 inches	
<b>Fittings</b>	<i>Use 1½ inch type fittings</i>		
1	4	4-Way “T”	
2	14	3-Way “T”	
3	8	90-degree elbow	
4	4	45-degree elbow	
5	4	“Y” branches	



# Elks Soccer Shoot® Contestant Score Sheet



## 5 - Goal Contest: U-8

Event Location:	Date:
-----------------	-------

*(Circle One in each category)*

BOYS			GIRLS	
Lodge	District	State	Regional/Area	

<b><u>Division</u></b>
<b>7 &amp; Under</b>

Name:
Telephone No.:

Age as of January 1 <u>(current year)</u>
--

**CONTESTANT: DO NOT WRITE BELOW THIS LINE!! (For Official Use Only!)**

Goal No. 1 – 48-inch width (X for each shot made) (– for each shot missed)		
SHOT 1)	SHOT 2)	SHOT 3)
Goal No. 2 – 40-inch width (X for each shot made) (– for each shot missed)		
SHOT 1)	SHOT 2)	SHOT 3)
Goal No. 3 – 34-inch width (X for each shot made) (– for each shot missed)		
SHOT 1)	SHOT 2)	SHOT 3)
Goal No. 4 – 26-inch width (X for each shot made) (– for each shot missed)		
SHOT 1)	SHOT 2)	SHOT 3)
Goal No. 5 – 17-inch width (X for each shot made) (– for each shot missed)		
SHOT 1)	SHOT 2)	SHOT 3)

Total Goals	× 1 =	Goal #1 Score
Total Goals	× 2 =	Goal #2 Score
Total Goals	× 3 =	Goal #3 Score
Total Goals	× 4 =	Goal #4 Score
Total Goals	× 5 =	Goal #5 Score

### Tie Breaker Section

SCORE

--

<i>(17-inch Goal Only)</i>						(X for each shot made) (– for each shot missed)											
1	2	3	4	5	Total Goals	1	2	3	4	5	Total Goals	1	2	3	4	5	Total Goals
1	2	3	4	5	Total Goals	1	2	3	4	5	Total Goals	1	2	3	4	5	Total Goals



# Elks Soccer Shoot®

## Contestant Score Sheet



### Grid Goal Contest: U-10, U-12, U-14 & U-16

Event Location:	Date:
-----------------	-------

*(Circle One in each category)*

BOYS			GIRLS	
Lodge	District	State	Regional/Area	

Division	
8 & 9	10 & 11
12 & 13	14 & 15

Name:
Telephone No.:

Age as of January 1 <u>(current year)</u>
--

**CONTESTANT: DO NOT WRITE BELOW THIS LINE!!** (For Official Use Only!)

<i>Indicate Actual Number of Points Scored for Each Shot</i>		
SHOT 1) _____	SHOT 6) _____	SHOT 11) _____
SHOT 2) _____	SHOT 7) _____	SHOT 12) _____
SHOT 3) _____	SHOT 8) _____	SHOT 13) _____
SHOT 4) _____	SHOT 9) _____	SHOT 14) _____
SHOT 5) _____	SHOT 10) _____	SHOT 15) _____

Grid Goal		
5	4	5
3	2	3
1		

SCORE

### Tie Breaker Section

*(Indicate Actual Points Scored for Each Shot)*

1	2	3	4	5	Total
1	2	3	4	5	Total

1	2	3	4	5	Total
1	2	3	4	5	Total

1	2	3	4	5	Total
1	2	3	4	5	Total



# Elks Soccer Shoot®

## COMPETITION FORM — BOYS/GIRLS

Complete and submit to the Director of the next level of competition:



Sponsoring Lodge:	No.:
-------------------	------

*(Circle One in Each Category)*

GENDER GROUP	NEXT LEVEL OF COMPETITION
<div style="display: flex; justify-content: space-around;"> <span>BOYS</span> <span>GIRLS</span> </div>	<div style="display: flex; justify-content: space-between;"> <span>District</span> <span>State</span> <span>Regional/Area</span> </div>

Division U-8	Ages 7 & Under
Name:	Date of Birth:
Address:	Telephone:
City:	State:      ZIP:
Parent Name:	
<b>Total Number of Participants and Guests Attending Next Competition</b>	

Division U-10	Ages 8 & 9
Name:	Date of Birth:
Address:	Telephone:
City:	State:      ZIP:
Parent Name:	
<b>Total Number of Participants and Guests Attending Next Competition</b>	

Division U-12	Ages 10 & 11
Name:	Date of Birth:
Address:	Telephone:
City:	State:      ZIP:
Parent Name:	
<b>Total Number of Participants and Guests Attending Next Competition</b>	

Division U-14	Ages 12 & 13
Name:	Date of Birth:
Address:	Telephone:
City:	State:      ZIP:
Parent Name:	
<b>Total Number of Participants and Guests Attending Next Competition</b>	

Division U-16	Ages 14 & 15
Name:	Date of Birth:
Address:	Telephone:
City:	State:      ZIP:
Parent Name:	
<b>Total Number of Participants and Guests Attending Next Competition</b>	



**REGISTRATION APPLICATION  
B.P.O. ELKS  
"SOCCER SHOOT"®  
GOAL SHOOTING CONTEST**

Boy

For boys and girls up to age 15

Girl

**APPLICANT CAN PARTICIPATE IN ONE LODGE CONTEST ONLY**  
**(PLEASE FILL OUT IN DETAIL)**

DATE OF BIRTH \_\_\_\_\_  
(Month) (Day) (Year)

*Please circle Correct Age you were on*

**JANUARY 1**

(Fill in appropriate year)

4 5 6 7 8 9 10 11 12 13 14 15

APPLICANT'S NAME: \_\_\_\_\_  
(Please print or type)

ADDRESS: \_\_\_\_\_

CITY: \_\_\_\_\_ STATE: \_\_\_\_\_ ZIP: \_\_\_\_\_

( ) \_\_\_\_\_ ( ) \_\_\_\_\_ ( ) \_\_\_\_\_  
Home Phone Mom Work Dad Work

( ) \_\_\_\_\_ ( ) \_\_\_\_\_  
Mom Cell Dad Cell

NAME OF APPLICANTS \_\_\_\_\_  
**PARENTS** Mother  
or  
**GUARDIANS** Father

ELKS LODGE \_\_\_\_\_ NO. \_\_\_\_\_ DATE \_\_\_\_\_

**REQUEST AND CONDITIONS FOR REGISTRATION**

The undersigned, parent/guardian of the above named applicant, hereby requests applicant's registration in the B.P.O. Elks "Soccer Shoot"® GOAL SHOOTING CONTEST and represents the information set forth in this Application is correct. In consideration of such registration and the right of the applicant to participate in the competition, the undersigned does hereby acknowledge and agree that such participation will be solely at the risk of the applicant and the undersigned and without liability to the Benevolent and Protective Order of Elks of the United States of America, its State Associations, its Local Lodges and the officers and members of them (hereinafter collectively referred to as "BPOE"). The undersigned, for himself, his personal representatives and successors, does hereby release and forever discharge BPOE from any and all claims, demands, liabilities, obligations, damages, costs, expenses, loss of service, actions and causes of action including each and every right of payment for damages said undersigned may now or hereafter have against BPOE arising out of any act or occurrence incident to the applicant's said participation and/or the engagement of the undersigned in connection therewith. The undersigned hereby consents and authorizes BPOE to use and reproduce applicant's name and/or likeness and to circulate the same for any and all purposes reasonably related to the conduct and promotion of the said competition, and the undersigned does hereby agree to indemnify and hold BPOE harmless from any and all claims, loss or damage to the BPOE resulting from or related to applicant's said participation. I have read, understood, and followed the rules of the "Soccer Shoot" contest.

\_\_\_\_\_  
(Signature of applicant)

\_\_\_\_\_  
Signature of Parent (Mother)

\_\_\_\_\_  
OR (Father)

**NOTE: ALL entrants are requested to contact their school principal or coach to determine if any restrictions or eligibility requirements exist in their state.** Signatures verify information supplied on this card is correct. **(Over)**

**THIS MUST BE FILLED OUT BY THE RESPECTIVE DESIGNATED PEOPLE AS SHOWN BELOW. PLEASE PRINT.**

**EXALTED RULER**

Name \_\_\_\_\_  
Address \_\_\_\_\_  
City \_\_\_\_\_ State \_\_\_\_\_ Zip \_\_\_\_\_  
Telephone (Area) \_\_\_\_\_

**LOCAL LODGE DIRECTOR**

Name \_\_\_\_\_  
Address \_\_\_\_\_  
City \_\_\_\_\_ State \_\_\_\_\_ Zip \_\_\_\_\_  
Telephone (Area) \_\_\_\_\_ SCORE \_\_\_\_\_  
Document checked by \_\_\_\_\_ Date \_\_\_\_\_ Lodge \_\_\_\_\_  
Age verified by \_\_\_\_\_ Date \_\_\_\_\_

**DISTRICT DIRECTOR**

Name \_\_\_\_\_  
Address \_\_\_\_\_  
City \_\_\_\_\_ State \_\_\_\_\_ Zip \_\_\_\_\_  
Telephone (Area) \_\_\_\_\_ SCORE \_\_\_\_\_

**STATE DIRECTOR**

Name \_\_\_\_\_  
Address \_\_\_\_\_  
City \_\_\_\_\_ State \_\_\_\_\_ Zip \_\_\_\_\_  
Telephone (Area) \_\_\_\_\_ SCORE \_\_\_\_\_

**AREA/REGIONAL DIRECTOR**

Name \_\_\_\_\_  
Address \_\_\_\_\_  
City \_\_\_\_\_ State \_\_\_\_\_ Zip \_\_\_\_\_  
Telephone (Area) \_\_\_\_\_ SCORE \_\_\_\_\_



# Elks Soccer Shoot®

## Contest Event Report

No later than 5 days after your Elks Soccer Shoot® Contest has taken place, complete this Contest Event Report and two COMPETITION FORMS (for BOY and GIRL WINNERS), and forward to the Director of the next level of competition.

COMPETITION DATE:				
<b>Report for</b>	Lodge	District	State	Area/Regional
	<i>(Circle One)</i>			
Lodge:				
District:			No.:	
State:				
Competition Director:			Telephone:	
Address:				
City:		State:	ZIP:	
Competition Location:				

**Attendance:** *This information is vital to the Program's future. Please Report Completely.*

Volunteers		Contestants									
Elks	Non-Elks	U-8		U-10		U-12		U-14		U-16	
		Girls	Boys	Girls	Boys	Girls	Boys	Girls	Boys	Girls	Boys

Description	Total Expenses	Total Contributions	Total Income	Volunteer Hours/Miles	
Competition				Elk volunteer hours	
Advertising/Costs				Non-Elk volunteer hours	
Awards/Prizes/ Certificates				Elk volunteer miles	
Lodging				Non-Elk volunteer miles	
Meals/Snacks, etc.				<b>Attach additional support as required.</b>	
Admin.–supplies, copies, postage, etc.					
Miscellaneous					
<b>Total</b>					

## Elks Virtual National Soccer Shoot Competition STATE CONTEST REPORT



Report to be submitted to the National Soccer Shoot Coordinator no later than March 31st. Please also make sure that event information is entered into the Charity Records book under **1103-Athletic Programs-Soccer Shoot Line**

<b>Competition Date:</b>		<b>State</b>	
--------------------------	--	--------------	--

**Contest Winners**

Division	Gender Group	Contestant Name	Lodge Name & No.	Base Score	Tie breaker
U-8	Boys				
U-8	Girls				
U-10	Boys				
U-10	Girls				
U-12	Boys				
U-12	Girls				
U-14	Boys				
U-14	Girls				
U-16	Boys				
U-16	Girls				

**Contest Director Information**

<b>Name:</b>	
<b>Address</b>	
<b>City, State, Zip</b>	
<b>Telephone</b>	

**Please submit this report no later than March 31<sup>st</sup> to:**

Elks Soccer Shoot Coordinator  
 Grand Lodge Activities Committee  
 Address, City, State, Zip  
 E-Mail Address

**NOTE:** The Current Contact Address and Form is available on the Activities Committee Page of Elks.org

## Elks Virtual National Soccer Shoot Competition REGIONAL CONTEST REPORT



Report to be submitted to the National Soccer Shoot Coordinator no later than March 31st. Please also make sure that event information is entered into the Charity Records book under **1103-Athletic Programs-Soccer Shoot Line**

<b>Competition Date:</b>		<b>Region</b>	
--------------------------	--	---------------	--

Contest Winners						
Division	Gender Group	Contestant Name	State	Lodge Name & No.	Base Score	Tie breaker
U-8	Boys					
U-8	Girls					
U-10	Boys					
U-10	Girls					
U-12	Boys					
U-12	Girls					
U-14	Boys					
U-14	Girls					
U-16	Boys					
U-16	Girls					

Contest Director Information	
<b>Name:</b>	
<b>Address</b>	
<b>City, State, Zip</b>	
<b>Telephone</b>	

**Please submit this report no later than March 31<sup>st</sup> to:**

Elks Soccer Shoot Coordinator  
 Grand Lodge Activities Committee  
 Address, City, State, Zip  
 E-Mail Address

**NOTE:** The Current Contact Address and Form is available on the Activities Committee Page of Elks.org

## Elks Soccer Shoot Region Change Form

This form is to be used by a State Association to either form a new Soccer Shoot Region with neighboring State(s), join an existing region or to change to another region. Current regions can be found on the Activities Committee page of Elks.org



<b>Effective Date:</b>	
------------------------	--

<b>State Association Making Change:</b>	
---	--

<b>Reason for Change:</b> <i>(Form New Region, Join Existing Region, or Change Region)</i>	
---	--

<b>If forming a NEW Region</b> <b>List States to be part of the new Region</b> <i>(minimum of two)</i>	
--	--

New Regional Contest Director Information	
<b>Name:</b>	
<b>Address</b>	
<b>City, State, Zip</b>	
<b>Telephone</b>	
<b>E-mail Address</b>	

<b>Name of New Region:</b>	
----------------------------	--

**If Joining an Existing Region**

<b>Name of Region Joining:</b>	
--------------------------------	--

**If Changing Regions**

Region Leaving	Region Joining

Note: Changes to regions can only be made once per Fraternal Year (April 1-March 31). Once a change has been made, the State will be locked into that region until after April 1st the following year.

State Soccer Shoot Director Contact Information	
<b>Name</b>	
<b>Address</b>	
<b>City, State, Zip</b>	
<b>Telephone</b>	
<b>E-Mail Address</b>	

**Please submit this form to:** The Current Contact Address and Form is available on the Activities Committee Page of Elks.org

“Elks Care — Elks Share”

**SOCCER...**



**It's A Kick!**

